

Congratulations!

In the **seca 220** measuring rod, you have acquired an accurate and at the same time sturdy rod for measuring the height of children and adults.

It is manufactured from stable, easy-care aluminium profile. The measuring slide is made of plastic and can be folded.

The **seca 220** measuring rod is for measuring height and thus for assessing the state of health of patients and for detecting and monitoring pathological nutritional or other physiological disorders.

It is attached to the column of seca column scales using the assembly material supplied.

In combination with a scale, therefore, the measuring rod serves as a complete measuring and weighing station.

The **seca 220** measuring rod is used with a seca column scale primarily in hospitals, general practice and measuring and nursing facilities on wards.

Safety

Before using the new measuring rod, please take a little time to read the following safety instructions:

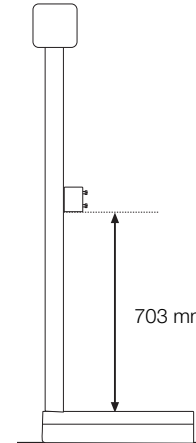
- Follow the operating instructions.
- Attach the measuring rod only to seca column scales.
- Use the assembly material supplied.

- When assembling, ensure that screws are tight and that the rod has been assembled correctly (see chapter entitled "Assembly instructions").
- Fold down the measuring slide after height has been measured to avoid the risk of injury.

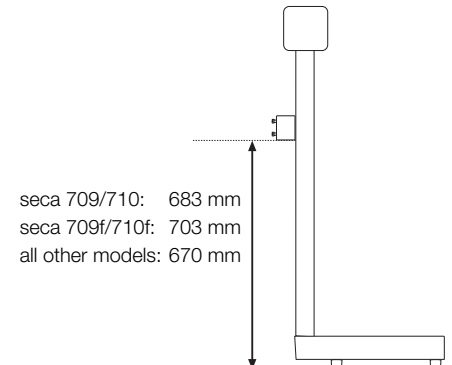
Assembly instructions

1. Screw the fixing block to the rear (on models 711/712: **front**) of the column using two screws. Tighten the screws just far enough so that the block can still be moved.
2. Measure from the floor (on models 711/712: **from the platform**) to the bottom edge of the fixing block.
3. Move the fixing block until the appropriate height (see diagrams) is set and then tighten up the screws.

seca 711, 712, 711f + 712f



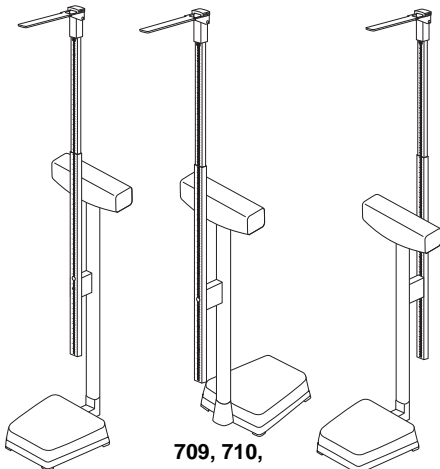
all other seca models



- Screw the measuring rod to the fixing block. The measuring slide and the scale point **away from the weighing platform** on seca models 709, 710, 709f and 710f and **towards the weighing platform** on all other models:

Measuring rod at front

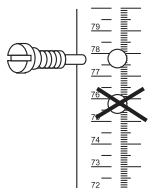
Measuring rod at rear



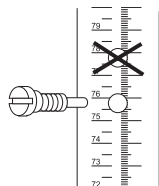
**711, 712,
711f, 712f**

**709, 710,
709f, 710f**

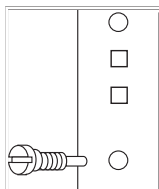
**all other seca
models**



Fixing hole for seca models 711, 712, 709f, 710f, 711f + 712f.



Fixing hole for seca models 709 and 710.

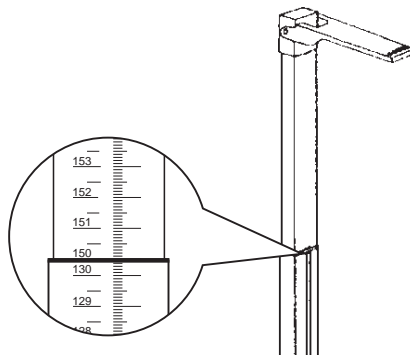


Fixing hole right at the bottom for all other seca models.

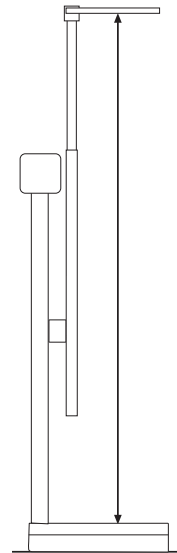
Fine adjustment

If you want to set your measuring rod exactly:

- Set measuring slide to a value, e.g. 150 cm.



- Using another measuring rod, measure the difference from the platform (models 709, 710, 709f, 710f: **from the floor**) to the measuring slide and note the difference.
- Unscrew the measuring rod from the fixing block.
- Slightly loosen the screws of the fixing block, move it up or down a little depending on the difference and screw it tight again.
- Screw measuring rod back onto fixing block.
- Check height again and correct if necessary.



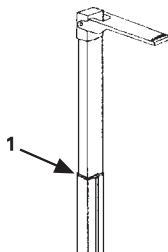
Operation

How to measure properly...

- Engage measuring slide in the horizontal position for measuring.
- Push measuring slide upwards according to the height of the person to be measured.

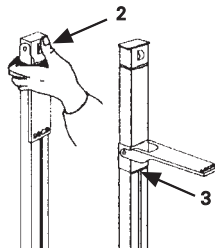
For measuring from 130.5 cm to 200 cm:

- read-off mark (1)



for measuring below 130.5 cm:

- release lock (2) by pressing on it
- push measuring slide downwards
- read-off mark (3)



3. The person to be measured positions him or herself under the measuring slide. The back and head must be straight.
4. The measuring slide is pushed onto the head so that the measuring slide abuts without bending.
5. Read off body height at the read-off mark.
If the above-mentioned instructions are followed, accuracy greater than ± 5 mm can be achieved.

Cleaning

Clean the measuring rod as required using a domestic cleaning agent or commercially-available disinfectant. Follow the manufacturer's instructions.

Technical data

Measurement range:	60-200 cm / 24-78 inch
Graduations:	1mm /1/8 inch
Dimensions (W x H x D):	55 x 784 x 34 mm
Weight:	ca.700 g
Temperature range:	+10 °C up to +40 °C
Medical product in accordance with Directive 93/42/EEC:	Class I

Disposal

Should the measuring rod no longer be able to be used, the responsible waste disposal association will be glad to give you information about the measures necessary to dispose of it properly.

Warranty

A two-year warranty from date of delivery applies to defects attributable to poor materials or workmanship. All moveable parts - batteries, cables, mains units, rechargeable batteries etc. - are excluded. Defects which come under warranty will be made good for the customer at no charge on production of the receipt. No further claims can be entertained. The costs of transport in both directions will be borne by the customer should the equipment be located anywhere other than the customer's premises. In the event of transport damage, claims under warranty can be honoured only if the complete original packaging was used for any transport and the scale secured and attached in that packaging just as it was when originally packed. All the packaging should therefore be retained.

A claim under warranty will not be honoured if the equipment is opened by persons not expressly authorised by seca to do so.

We would ask our customers abroad to contact their local sales agent in the event of a warranty matter.

QuickMedical is an authorized distributor for seca.

**See the complete line of seca products at :
www.medicalscases.com/seca**

**Call toll free: 1-888-345-4858
Fax: 425-831-6032**